

Technical Drawing Data-Sheet IP68 Transmitter MAGB1

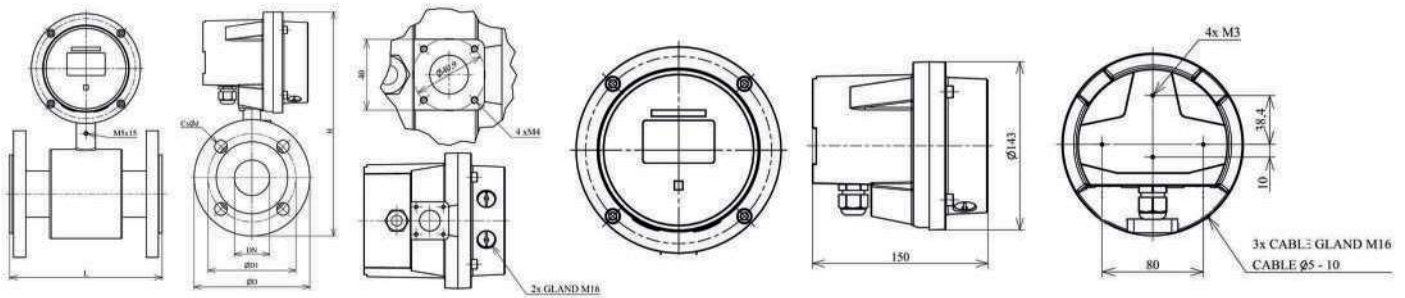
DIN

DN	ØD	D1	CxØd	L	H-compact	H-remote
	[mm]	[mm]	[mm]	[mm]	[mm]	[mm]
10	90	60	4x14	200	257	160
15	95	65	4x14	200	262	165
20	105	75	4x14	200	269	172
25	115	85	4x14	200	275	178
32	140	100	4x18	200	293	196
40	150	110	4x18	200	302	205
50	165	125	4x18	200	316	219
65	185	145	8x18	200	336	239
80	200	160	8x18	200	354	257
100	220	180	8x18	250	374	277
125	250	210	8x18	250	407	310
150	285	240	8x22	300	440	343
200	340	295	12x22	350	496	399
250	405	355	12x26	400	566	469
300	460	410	12x26	500	615	518
350	520	470	16x26	500	683	586

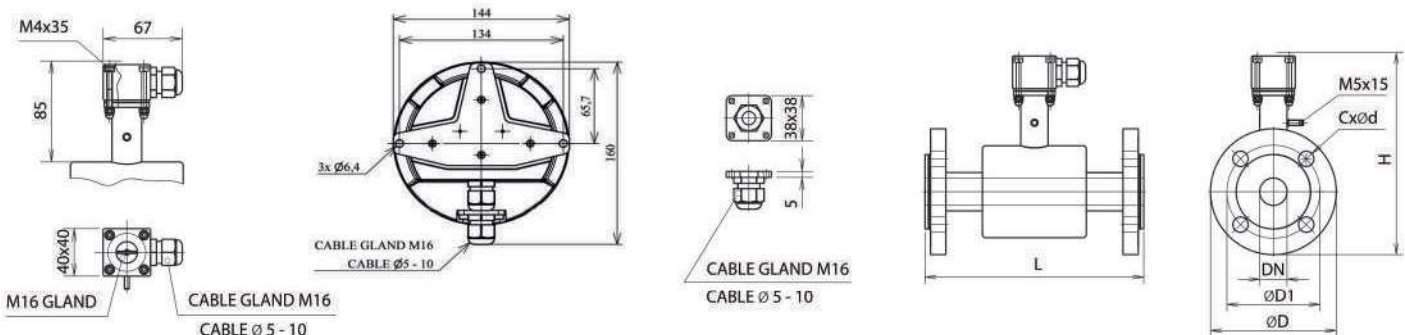
ANSI

DN	ØD	ØD1	CxØd	L	H-compact	H-remote
	[mm]	[mm]	[mm]	[mm]	[mm]	[mm]
1/2"	88.9	60.5	4x15.7	200	258	161
3/4"	98.6	69.9	4x15.7	200	266	169
1"	108	79.2	4x15.7	200	271	174
1.1/4"	117.3	88.9	4x15.7	200	282	185
1.1/2"	127	98.6	4x15.7	200	290	193
2"	152.4	120.7	4x19.1	200	309	212
2.1/2"	177.8	139.7	4x19.1	200	332	235
3"	190.5	152.4	4x19.1	200	349	252
4"	228.6	190.5	8x19.1	250	378	281
5"	254	215.9	8x22.4	250	409	312
6"	279.4	241.3	8x22.4	300	437	340
8"	342.9	298.5	8x22.4	350	497	400
10"	406.4	362	12x25.4	400	566	469
12"	482.6	431.8	12x25.4	500	626	529
14"	533.4	476.3	12x28.4	500	690	593

Compact version:



Remote version:



Electronics weight (Including Housing)	1.5 kg
Housing material	Aluminium + powder coating
Housing dimensions	Ø 144 mm
Cable terminals	1+1xM16x1.5 IP68 cable glands
Electronics protection	IP68 / NEMA 6

Tolerance of built-in length:
 DN 10 – DN 150 L ± 5 mm
 DN 200 – DN 1000 L ± 10 mm

Standard pressure:
 DN 10 – DN 50 PN 40 / 150 lbs.
 DN 65 – DN 150 PN 16 / 150 lbs.