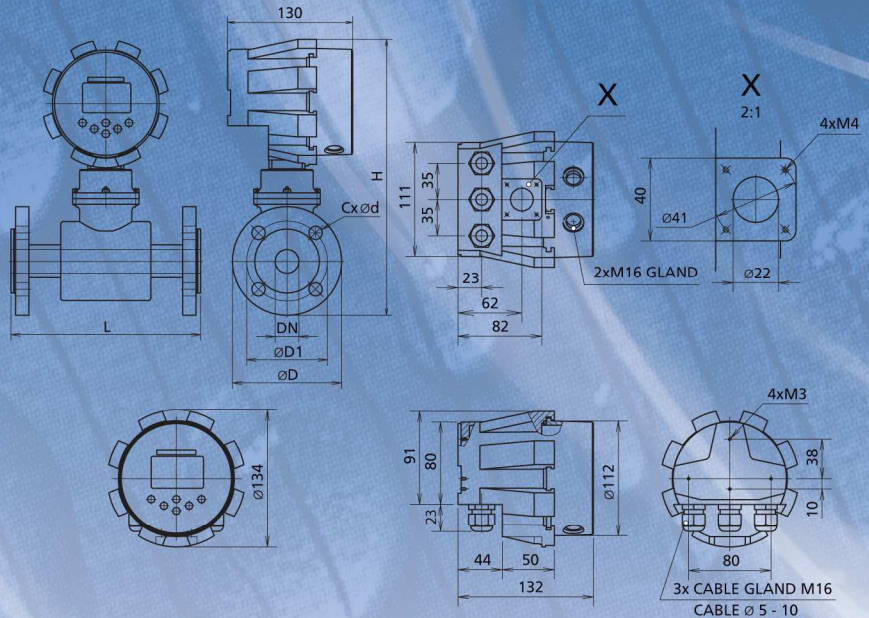


DIN

DN	ØD [mm]	ØD1 [mm]	CxØd [mm]	L [mm]	H-compact [mm]	H-remote [mm]
10	90	60	4x14	200	258	168
15	95	65	4x14	200	263	173
20	105	75	4x14	200	270	181
25	115	85	4x14	200	276	186
32	140	100	4x18	200	294	205
40	150	110	4x18	200	303	213
50	165	125	4x18	200	317	227
65	185	145	8x18	200	337	247
80	200	160	8x18	200	355	266
100	220	180	8x18	250	375	286
125	250	210	8x18	250	401	312
150	285	240	8x22	300	440	351
200	340	295	12x22	350	511	421
250	405	355	12x26	400	581	491
300	460	410	12x26	500	630	540
350	520	470	16x26	500	698	608
400	580	525	16x30	600	751	661
450	640	585	20x30	600	794	704
500	715	650	20x33	600	863	773
600	840	770	20x36	600	980	890

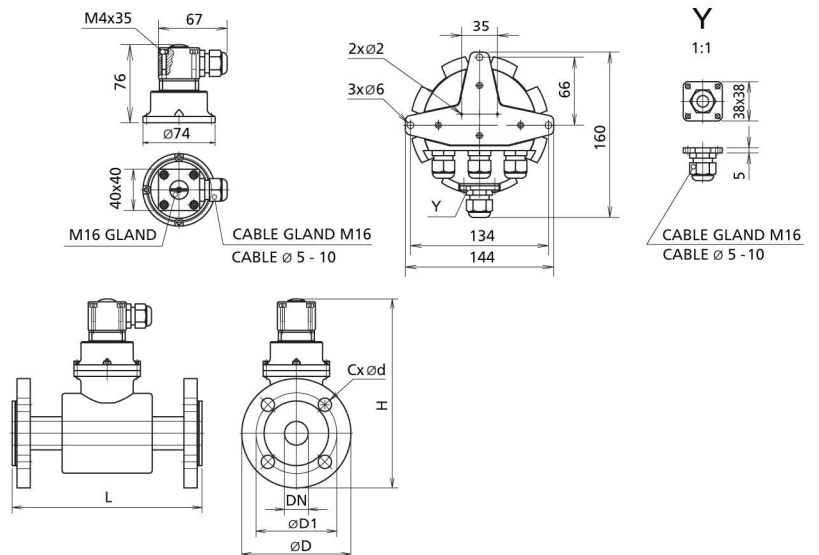
Compact version:



ANSI

DN	ØD [mm]	ØD1 [mm]	CxØd [mm]	L [mm]	H-compact [mm]	H-remote [mm]
1/2"	95	66,7	4x16	200	263	173
3/4"	117	82,5	4x20	200	276	187
1"	124	88,9	4x20	200	280	191
1.1/4"	133	98,4	4x20	200	291	201
1.1/2"	156	114,3	4x23	200	306	216
2"	165	127	8x20	200	317	227
2.1/2"	178	139,7	4x20	200	333	244
3"	191	152,4	4x20	200	351	261
4"	229	190,5	8x20	250	380	290
5"	254	215,9	8x23	250	403	314
6"	279	241,3	8x23	300	437	348
8"	343	298,4	8x23	350	512	422
10"	406	361,9	12x26	400	581	491
12"	483	431,8	12x26	500	642	552
14"	535	476,2	12x29	500	706	616
16"	595	539,7	16x29	600	758	668
18"	635	577,8	16x32	600	792	702
20"	700	635	20x32	600	855	765
24"	815	749,3	20x35	600	968	878

Remote version:



Tolerance of built-in length:
DN 10 – DN 150 – L ± 5 mm
DN 200 – DN 1000 – L ± 10 mm

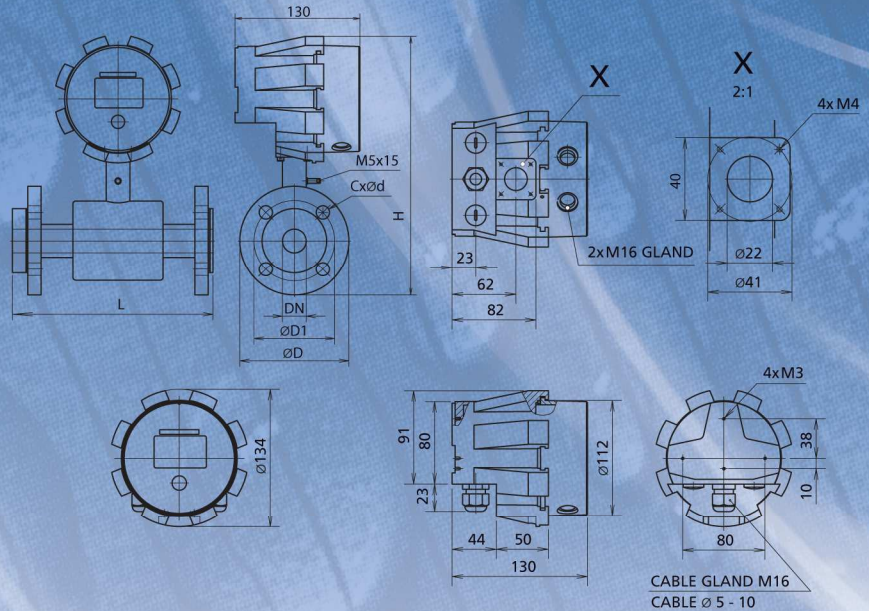
Standard pressure:
DN 10 – DN 50 – PN 40 / 600 lbs.
DN 65 – DN 150 – PN 16 / 150 lbs.

Max. electronics weight (including housing)	2 kg
Housing material	Aluminium + powder coating
Housing dimensions	Ø 134 - 132 mm
Cable terminal	3+1xM16x1,5 IP68 cable glands
Electronics protection	Standard IP67 / NEMA 5

DIN

DN	ØD [mm]	ØD1 [mm]	CxØd [mm]	L [mm]	H-compact [mm]	H-remote [mm]
10	90	60	4x14	200	253	163
15	95	65	4x14	200	258	168
20	105	75	4x14	200	265	176
25	115	85	4x14	200	271	181
32	140	100	4x18	200	289	200
40	150	110	4x18	200	298	208
50	165	125	4x18	200	312	222
65	185	145	8x18	200	332	242
80	200	160	8x18	200	350	261
100	220	180	8x18	250	370	281
125	250	210	8x18	250	396	307
150	285	240	8x22	300	435	346

Compact version:



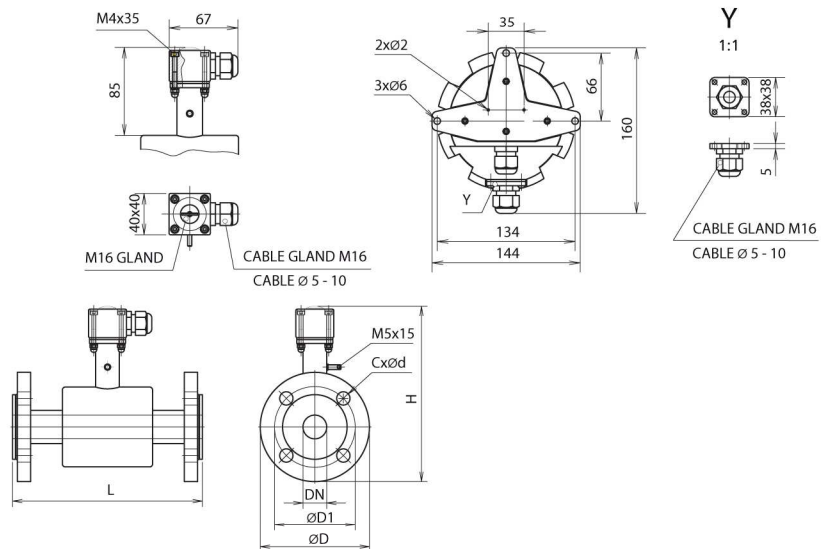
ANSI

DN	ØD [mm]	ØD1 [mm]	CxØd [mm]	L [mm]	H-compact [mm]	H-remote [mm]
1/2"	95	4x16	4x16	200	258	168
3/4"	117	4x20	4x20	200	271	182
1"	124	4x20	4x20	200	275	186
1.1/4"	133	4x20	4x20	200	286	196
1.1/2"	156	4x23	4x23	200	301	211
2"	165	8x20	8x20	200	312	222
2.1/2"	178	4x20	4x20	200	328	239
3"	191	4x20	4x20	200	346	256
4"	229	8x20	8x20	250	375	285
5"	254	8x23	8x23	250	398	309
6"	279	8x23	8x23	300	432	343

Tolerance of built-in length:
DN 10 – DN 150 – L ± 5 mm
DN 200 – DN 1000 – L ± 10 mm

Standard pressure:
DN 10 – DN 50 – PN 40 / 600 lbs.
DN 65 – DN 150 – PN 16 / 150 lbs.

Remote version:



Electronics weight (Including Housing)	1,5 kg
Housing material	Aluminium + powder coating
Housing dimensions	Ø 134 - 130 mm
Cable terminals	1+1xM16x1,5 IP68 cable glands
Electronics protection	Standard IP67 / NEMA 5

Certification

CE: Conformity requirements MAGX2

EN 61010-1:2003

EN 61326:1998 + A1:1999, cor. 1:1999 + A2:2002 + A3:2005, Table A.1

EN 61326:1998 + A1:1999, cor. 1:1999 + A2:2002 + A3:2005, Class A.1

CE: Conformity requirements MAGB1

EN 61326 - 1:2006 + rev. 1:2007

EN 55011 ed.2:2007, Group 1, Class A

